

MC1X05F Alarm Horn & Xenon Strobe

The MC1X05F combines a high output, 119dB(A) alarm sounder with a 5 Joule Xenon strobe beacon. With a robust, fire retardant, IP66 & IP67 housing, the MC1X05F is particularly suitable for harsh environments with high ambient noise levels.

The flare horn on the MC1X05F produces sound level outputs up to 119dB(A) at 1 metre with a choice of 45 alarm tones and 3 remotely selectable stages. The Xenon strobe beacon automatically synchronises with other MC1X05F devices on the same power supply. The sounder & beacon can be operated individually or simultaneously.

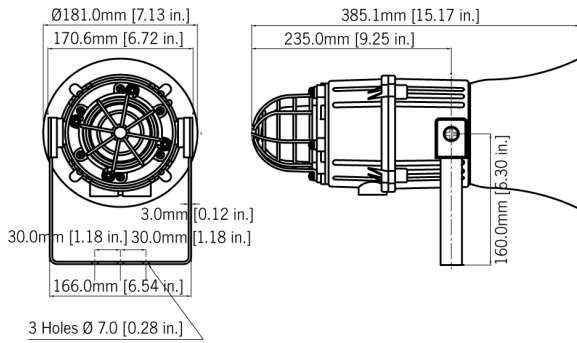
Features

- Automatic synchronisation on multi-sounder systems.
- Automatic synchronised flash, or Flip-Flop alternating mode.
- Xenon tube mechanically secured against vibration.
- Continuously rated.
- Large termination area.
- Stainless steel fixings.
- Ratchet adjustable stainless steel 'U' bracket for 360° positioning.
- Duplicate cable terminations.(in & out for daisy-chain installations).
- Tropicalisation available on request.
- Available with custom tone configurations and frequencies.
- Ingress protection: IP66/67 Type 4/4X/13
- 120 effective candela light intensity.
- 39,463 peak candela light intensity.
- UV stable PC, field replaceable, colour lens filter.

Approvals

- EAC compliant: POCC GB.JB05.H00144.
- Russian Maritime Register





Specification

Alarm Horn / Sounder:

Maximum output:	119dB(A) @ 1 metre [110dB(A) @ 10ft/3m]
Nominal output:	112dB(A) @ 1m +/- 3dB - Tone 2 [103dB(A) @ 10ft/3m]
No. of tones:	45 (UK00A / PFEER compliant)
No. of stages:	3
Volume control:	Max. 112dB(A); Min. 100dB(A) - Tone 2
Effective range:	125m/410ft @ 1KHz
Stage switching:	Negative or positive Reverse polarity stage switching on DC units.

Xenon Beacon:

Energy:	5 Joules(5Ws)
Flash rate:	1Hz (60 fpm)
Peak Candela:	500,000 cd - calculated from energy (J)
Eff. Intensity cd:	250 cd - calculated from energy (J)
Peak Candela:	39,463 cd* - measured ref. to I.E.S.
Eff. Intensity cd:	120 cd* - measured ref. to I.E.S.
Lens colours:	Amber, Blue, Clear, Green, Magenta, Red & Yellow

General:

Ingress protection:	IP66/67 Type 4/4X/13
Housing material:	High impact UL94 V0 & 5VA FR ABS
Colour:	Grey (RAL7038)
Lens material:	Borosilicate glass dome with PC prismatic lens cover.
Guard:	Stainless Steel dome guard as standard
Cable entries:	Dual M20x1.5 or 1/2"NPT
Terminals:	0.5 - 2.5mm ² (20-14 AWG)
Line monitoring:	Blocking diode included EOL can be factory fitted
Operating temp:	-25 to +55°C [-13° to +131°F]
Storage temp:	-40 to +70°C [-40° to +158°F]
Relative humidity:	90% at 20°C [68°F]
Weight :	DC: 3.00kg/6.6lbs AC:3.50kg/7.7lbs

*Candela measurements representative of performance with clear lens at optimum voltage.

*SPL data +/-3dB(A). Measured at optimum voltage.

Part Codes

Part Code:	Ident.:	Description:
Product type:	MC1X05	Combined alarm horn & Xenon
Type:	F	Flare re-entrant horn
Voltage:	AC115 AC230 DC012 DC024 DC048	115V ac 50/60Hz 230V ac 50/60Hz 12V dc (10-14Vdc) 24V dc (20-28Vdc) 48V dc (42-54Vdc)
Cable entries:[e]	A B C	M20x1.5 & ½" NPT M20x1.5 & M20x1.5 ½" NPT & ½" NPT
Stopping plug material: [m]	N	Nylon
Bracket & Guard: [s]	1 2	304 (A2) Stainless Steel 316 (A4) Stainless Steel
Version: [v]	A1	CE, EAC & Russian Maritime
Enclosure: [x]	G R	Grey (RAL7038) Red (RAL3000)
Lens colour: [y]	A, B, C G, M, R Y	Amber, Blue, Clear Green, Magenta, Red Yellow

Alarm Sounder

Version:	Voltage:	Current:
24V dc	10-30V dc	200mA*
48V dc	35-60V dc	120mA*
115V ac 50/60Hz	+/-10%	100mA
230V ac 50/60Hz	+/-10%	60mA

*current at nominal voltage on Tone 2

Xenon Beacon

Version:	Voltage:	Current:
12V dc	10-14V dc	550mA
24V dc	20-28V dc	300mA
48V dc	42-54V dc	180mA
115V ac 50/60Hz	+/-10%	140mA
230V ac 50/60Hz	+/-10%	55mA

Tone table

S 1	Description	S 2	S 3	S 1	Description	S 2	S 3
T 2	800/1000Hz @ 0.25 sec Alternating	T 17	T 5	T 34	1000 & 2000Hz @ 0.5 sec Alternating - Singapore	T 38	T 45
T 3	500/1200Hz @ 0.3Hz 0.5 sec Slow Whoop	T 2	T 5	T 35	420Hz @ 0.625 sec Australian Alert	T 36	T 5
T 4	800/1000Hz @ 1Hz Sweeping	T 6	T 5	T 36	500-1200Hz 3.75sec /0.25sec. Australian Evac.	T 35	T 5
T 5	2400Hz Continuous	T 3	T 20	T 37	1000Hz Continuous - PFEER Toxic Gas	T 9	T 45
T 6	2400/2900Hz @ 7Hz Sweeping	T 7	T 5	T 38	2000Hz Continuous	T 34	T 45
T 7	2400/2900Hz @ 1Hz Sweeping	T 10	T 5	T 39	800Hz 0.25sec on, 1 sec off Intermittent	T 23	T 17
T 8	500/1200/500Hz @ 0.3Hz Sweeping	T 2	T 5	T 40	544Hz (100mS)/440Hz (400mS) - NF S 32-001	T 31	T 27
T 9	1200/500Hz @ 1Hz - DIN / PFEER P.T.A.P.	T 15	T 2	T 41	Motor Siren - slow rise to 1200 Hz	T 2	T 5
T 10	2400/2900Hz @ 2Hz Alternating	T 7	T 5	T 42	Motor Siren - slow rise to 800 Hz	T 2	T 5
T 11	1000Hz @ 1Hz Intermittent	T 2	T 5	T 43	1200 Hz Continuous	T 2	T 5
T 12	800/1000Hz @ 0.875Hz Alternating	T 4	T 5	T 44	Motor Siren - slow rise to 2400 Hz	T 2	T 5
T 13	2400Hz @ 1Hz Intermittent	T 15	T 5	T 45	1KHz 1s on, 1s off Intermittent - PFEER Gen. ...	T 38	T 34
T 14	800Hz 0.25sec on, 1 sec off Intermittent	T 4	T 5				
T 15	800Hz Continuous	T 2	T 5				
T 16	660Hz 150mS on, 150mS off Intermittent	T 18	T 5				
T 17	544Hz (100mS)/440Hz (400mS) - NF S 32-001	T 2	T 27				
T 18	660Hz 1.8sec on, 1.8sec off Intermittent	T 2	T 5				
T 19	1.4KHz-1.6KHz 1s, 1.6KHz-1.4KHz 0.5s -NFC48-265	T 2	T 5				
T 20	660Hz Continuous	T 2	T 5				
T 21	554Hz/440Hz @ 1Hz Alternating	T 2	T 5				
T 22	544Hz @ 0.875 sec. Intermittent	T 2	T 5				
T 23	800Hz @ 2Hz Intermittent	T 6	T 5				
T 24	800/1000Hz @ 50Hz Sweeping	T 29	T 5				
T 25	2400/2900Hz @ 50Hz Sweeping	T 29	T 5				
T 26	Bell	T 2	T 15				
T 27	554Hz Continuous	T 26	T 5				
T 28	440Hz Continuous	T 2	T 5				
T 29	800/1000Hz @ 7Hz Sweeping	T 7	T 5				
T 30	300Hz Continuous	T 2	T 5				
T 31	660/1200Hz @ 1Hz Sweeping	T 26	T 5				
T 32	Two T chime.	T 26	T 15				
T 33	745Hz @ 1Hz Intermittent	T 2	T 5				